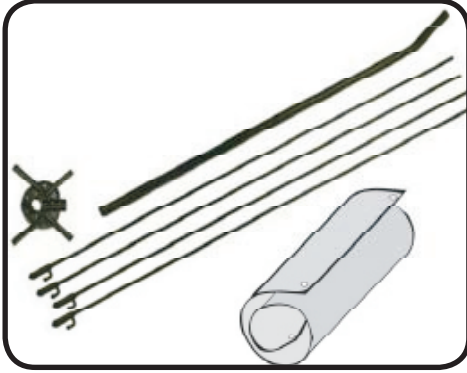
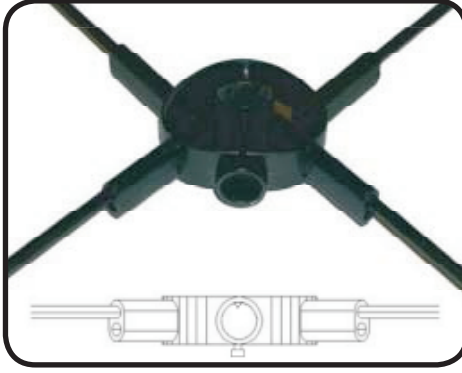


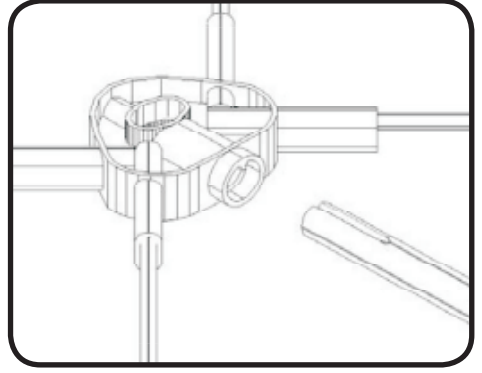
VORTEX MINI ASSEMBLY INSTRUCTIONS



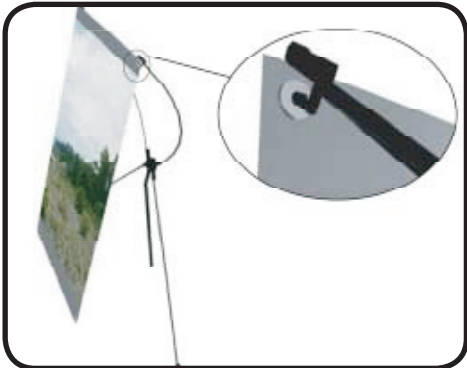
Remove the product from the outer packaging and bag.



- Insert the four poles into the holes in the hub. Make sure the poles are in all four arms of the hub and through the holes opposite from the side with the thumb screw.



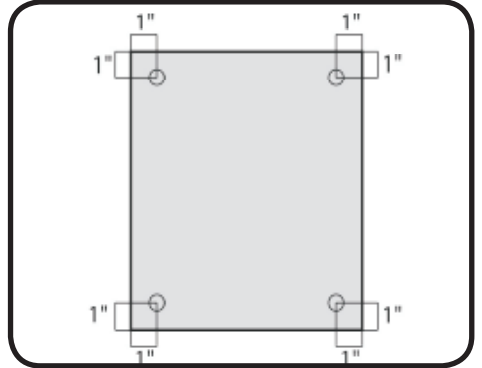
Insert the leg into the hub. Tighten the thumb screw to secure the leg.



Bend the top poles so the hooks fit into the top grommets. Make sure the hooks fit securely through the grommets.



Insert the hooks into the bottom grommets.
- Your product is now complete



Reverse the procedure to disassemble